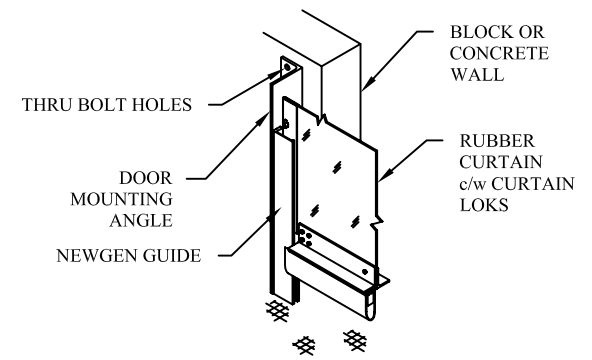


NEWGEN GUIDE AND CURTAIN LOK SYSTEM STEEL JAMB MOUNTING



NEWGEN GUIDE AND CURTAIN LOK SYSTEM CONCRETE WALL MOUNTING **

** CLEARANCE DIMENSION IS 8" FOR CONCRETE MOUNT CONFIGURATION
 *** OPTIONAL HOODS REQUIRE 10" SIDEROOM AND 33" HEADROOM

TNR INDUSTRIAL DOORS INC.
SHOP DRAWING, MODEL HDM, LEFT HAND

MECHANICAL OPTIONS	-	STANDARD SYSTEM INCLUDES
<input type="checkbox"/> - GUIDE MOUNTED WINDBAR	<input type="checkbox"/> -	- 50,000 CYCLE COUNTERBALANCE SPRINGS
<input type="checkbox"/> - JAMB MOUNTED WINDBAR	<input type="checkbox"/> -	- 5" HIGH, BLACK EPDM RUBBER LOOP
<input type="checkbox"/> - GUIDE GUARDS	<input type="checkbox"/> -	- KNOCK-AWAY STYLE BOTTOM BAR
<input type="checkbox"/> - *** EXTERIOR HOODS	<input type="checkbox"/> -	- NEWGEN GUIDE AND CURTAIN LOK SYSTEM
<input type="checkbox"/> - *** SAFETY CHAIN GUARDS	<input type="checkbox"/> -	- 90 MPH WINDLOAD RATING
<input type="checkbox"/> - 16" x 16" WINDOWS, QTY. _____	<input type="checkbox"/> -	
<input type="checkbox"/> - BLUE EPDM CURTAIN	<input type="checkbox"/> -	
<input type="checkbox"/> - GRAY EPDM CURTAIN	<input type="checkbox"/> -	
<input type="checkbox"/> -	<input type="checkbox"/> -	
<input type="checkbox"/> -	<input type="checkbox"/> -	
<input type="checkbox"/> -	<input type="checkbox"/> -	
<input type="checkbox"/> -	<input type="checkbox"/> -	

EXT. DETAIL: DOOR MOUNT CHAIN HOIST & C'BAL SPRINGS	
LIMITATIONS: MAX. OPENING WIDTH 15', MAX. OPENING HEIGHT 15'	
DATE DR'N: NOVEMBER 22, 2004	REVISION: B-APR.17, 2006
DRAWN BY: HOWARD MULRAIN	DRAWING No.: D-600-0021
ELECTRICAL CRITERIA: NOT APPLICABLE	
-	
OPERATOR CRITERIA: R200 MANUAL CHAIN HOIST	
-	
-	
END USER:	
DEALER:	
DOOR SIZE:	SERIAL No.: TNR-